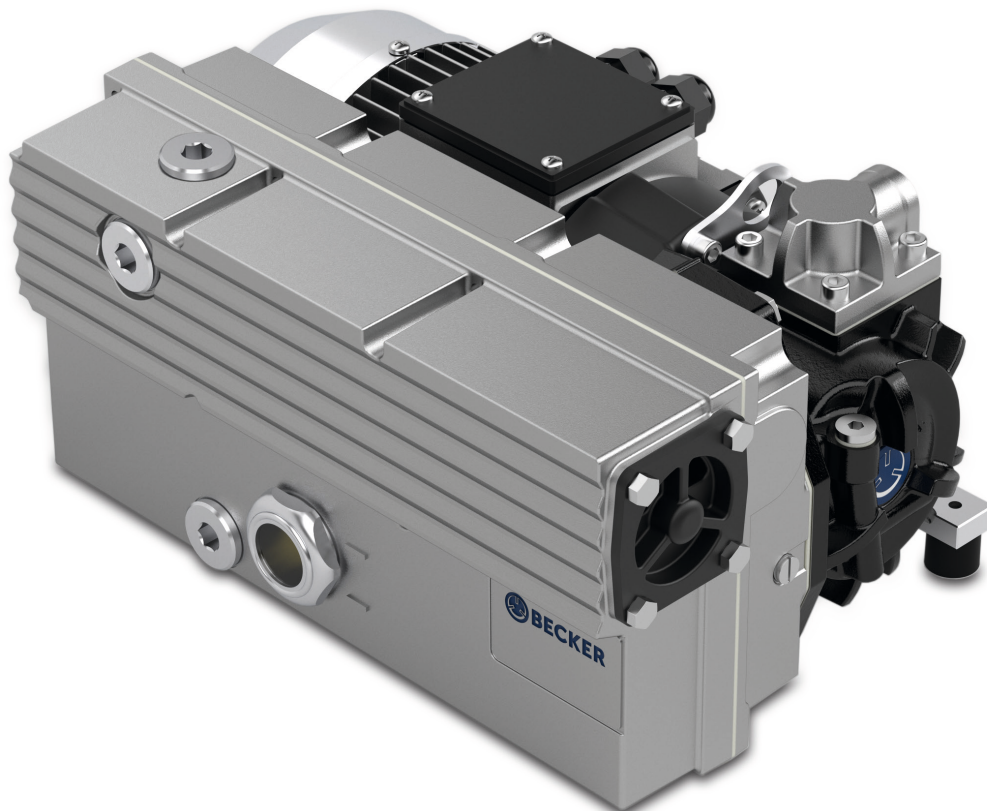


SPARE PARTS LIST

Ø 5.21

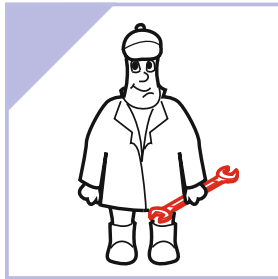
ROTARY VANE PUMPS

MAKE IT BECKER.



INDEX

INDEX/INDICE



BECKER
 year XX/20XX
 No. **A1234567**
 Compressor / vacuum
 type XXX
 frequency XXX
 speed XXX
 power required XXX
 inlet capacity XXX
 pressure XXX
 vacuum XXX

Geb. Becker GmbH
 Hölker Feld 29
 WÜRZBURG
 GERMANY
 www.becker-international.com
 Made in germany

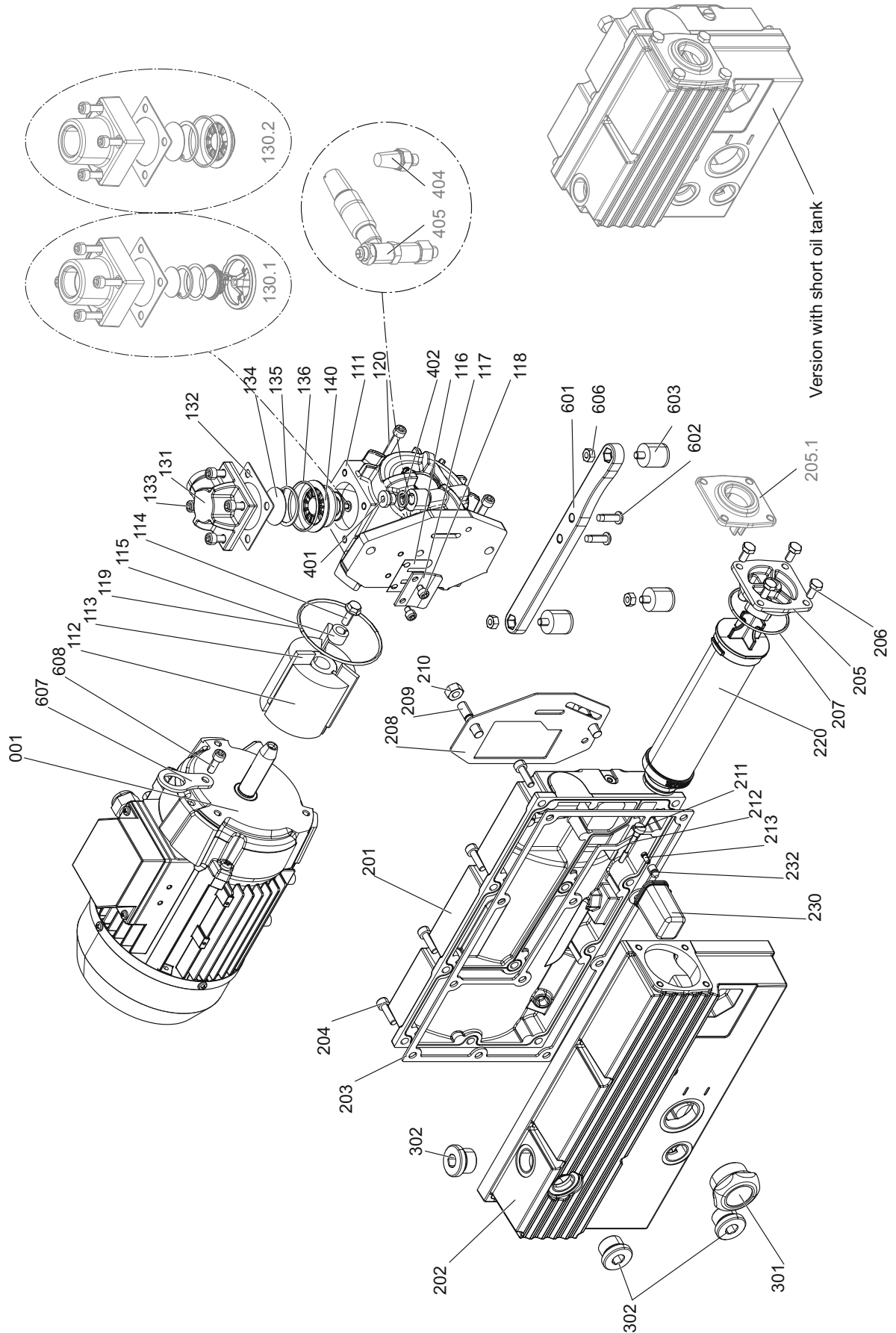
INDEX

WWW.PROFVACUUM.COM


important components - Service Parts

INDEX	Pos.	Ident No.	Description	
	K1	549000 54600	SET OF SEALS	
	K2	555300 55500	OIL SIGHT GLASS KIT	
	K3	955300 55500	SCREW KIT	
	K4	555300 55600	SIEVE KIT	
	K5	555300 55700	SUCTION VALVE KIT	
	K6	555300 55800	FLOAT VALVE KIT	
		960017 00025	BECKER LUBE M 32 (MINERAL OIL)	0.25 l
		960003 20025	BECKER LUBE S 32 (SYNTHETIC OIL)	0.25 l
		960003 20050		0.5 l
		960023 00901	BECKER LUBE SL 32 (FOOD SECTOR)	1 l
		960037 00501	BECKER LUBE SM 32 (FOOD SECTOR)	1 l
		960023 00300	BECKER LUBE M 68 (MINERAL OIL)	1 l
		960023 00400		5 l
		960023 00500	BECKER LUBE S 68 (SYNTHETIC OIL)	1 l
		960023 00600		5 l
		960023 00701	BECKER LUBE SL 68 (FOOD SECTOR)	1 l
		960023 00801		5 l
		960037 00101	BECKER LUBE SM 68 (FOOD SECTOR)	1 l
		960037 00201		5 l

○ 5.21



INDEX	Pos.	Ident No.	Description	
	K1	549000 54600	SET OF SEALS	1)
	K2	555300 55500	OIL SIGHT GLASS KIT	2)
	K3	955300 55500	SCREW KIT	3)
	K4	555300 55600	SIEVE KIT	4)
	K5	555300 55700	SUCTION VALVE KIT	5)
	K6	555300 55800	FLOAT VALVE KIT	6)
	001	*)	MOTOR	
	111	000110 64300	HOUSING	
	112	020000 64300	ROTOR	
	113	900592 00003	ROTOR VANE KIT	
	114	K3	HEX HEAD SCREW M6X16	
	115	016700 64300	FIXING SLEEVE	
	116	033910 64300	VALVE PLATE	
	117	029110 64300	VALVE KEEPER	
	118	K3	SOCKET HEAD SCREW M5X6	
	119	K1	O-RING SEAL 74X2,5	
	120	K3	SOCKET HEAD SCREW M6X40	
	130	537500 64300	FLANGE COMPLETE, SIDE CONNECTION	
	130.1	507804 64300	FLANGE COMPLETE, VARIANTE 1	
	130.2	507825 64300	FLANGE COMPLETE, VARIANTE 2	
	131	007800 64300	SCREWED FLANGE	
	132	K1, K4, K5	GASKET	
	133	K3	SOCKET HEAD SCREW M6X16	
	134	K4	SIEVE	
	135	948234 00000	SEEGER CIRCLIP	
	136	K1, K4, K5	O-RING SEAL	
	140	K5	SUCTION VALVE	
	201	002400 64200	OIL TANK A	7)
	201	002400 64300	OIL TANK A	8)
	202	002401 64200	OIL TANK B	7)
	202	002401 64300	OIL TANK B	8)
	203	K1	GASKET	7) 8)
	204	K3	SOCKET HEAD SCREW M6X20	
	205	003700 64300	MAINTENANCE COVER	
	205.1	003702 64300	MAINTENANCE COVER WITH EXHAUST AIR CONNECTION	
	206	K3	HEX HEAD SCREW M6X12	
	207	K1	O-RING SEAL 50X2	
	208	K1	GASKET	
	209	K3	STUD M8X20	
	210	K3	HEX-NUT M8	
	211	K6	BOLT	
	212	K1, K6	O-RING SEAL 4,5X1,8	
	213	K6	NOZZLE	
	220	96541064200	OIL SEPARATING ELEMENT	7)
	220	96541064300	OIL SEPARATING ELEMENT	8)
	230	K6	FLOAT	
	232	K1	SEALING ELEMENT	
	301	K2	OIL SIGHT GLASS	
	302	K2	SCREW PLUG G1/2	
	401	951205 00000	SCREW PLUG G1/8	
	402	K1	SEALING RING	
	404	768713 99626	GAS BALLAST VALVE 1 (OPTIONAL)	
	405	56872564300	GAS BALLAST VALVE 2 (OPTIONAL)	

INDEX	Pos.	Ident No.	Description		
	601	015102 64300	FOOT		
	602	K3	SOCKET HEAD SCREW M6X20		
	603	941305 00000	BUMPER		
	606	K3	HEX-NUT M8		
	607	025100 64300	TRANSPORT DEVICE		
	608	K3	SOCKET HEAD SCREW M6X16		
		960017 00025	BECKER LUBE M 32 (MINERAL OIL)	0.25 l	9)
		960003 20025	BECKER LUBE S 32 (SYNTHETIC OIL)	0.25 l	9)
		960003 20050		0.5 l	
		960023 00901	BECKER LUBE SL 32 (FOOD SECTOR)	1 l	9)
		960037 00501	BECKER LUBE SM 32 (FOOD SECTOR)	1 l	9)
		960023 00300	BECKER LUBE M 68 (MINERAL OIL)	1 l	10)
		960023 00400		5 l	
		960023 00500	BECKER LUBE S 68 (SYNTHETIC OIL)	1 l	10)
		960023 00600		5 l	
		960023 00701	BECKER LUBE SL 68 (FOOD SECTOR)	1 l	10)
		960023 00801		5 l	
		960037 00101	BECKER LUBE SM 68 (FOOD SECTOR)	1 l	10)
		960037 00201		5 l	

*)	IDENT NO. → SEE MOTOR TYPE PLATE
1)	K1 - SET OF SEALS → POS.: 119, 132,136, 203, 207, 208, 212, 232, 402
2)	K2 - OIL SIGHT GLASS KIT → POS.: 301, 302
3)	K3 - SCREW KIT → POS.: 114, 118, 120, 133, 204, 206, 209, 210, 602, 606, 608
4)	K4 - SIEVE KIT → POS.: 132, 134, 136
5)	K5 - SUCTION VALVE KIT → POS.: 132, 136, 140
6)	K6 - FLOAT VALVE KIT → POS.: 211, 212, 213, 230
7)	VERSION - SHORT OIL TANK
8)	VERSION - LONG OIL TANK
9)	FOR PUMPS WITH 1~ MOTOR
10)	FOR PUMPS WITH 3~ MOTOR